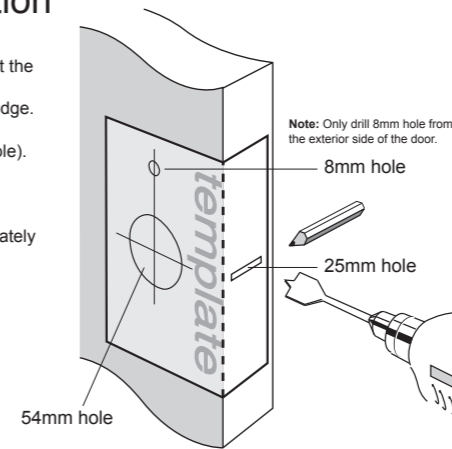


Installation Instructions for Digital Touch Pad Lever Lock

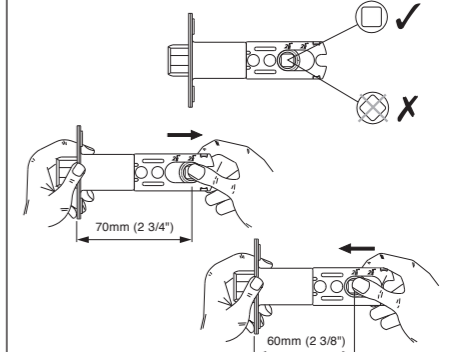
Step 1. Door Preparation

- Fold template where indicated.
- Position template on the exterior door edge at the desired latch height.
- Mark latch position in the centre of the door edge.
- Mark the 54mm (2 1/8") hole.
- Drill the 54mm hole.
- Mark the 8mm hole (only above the 54mm hole).
- Drill the 8mm hole.
- Drill the 8mm hole above the 54mm hole.
- Drill the 25mm latch hole.
- Note:** it is very important to drill all holes accurately and square.

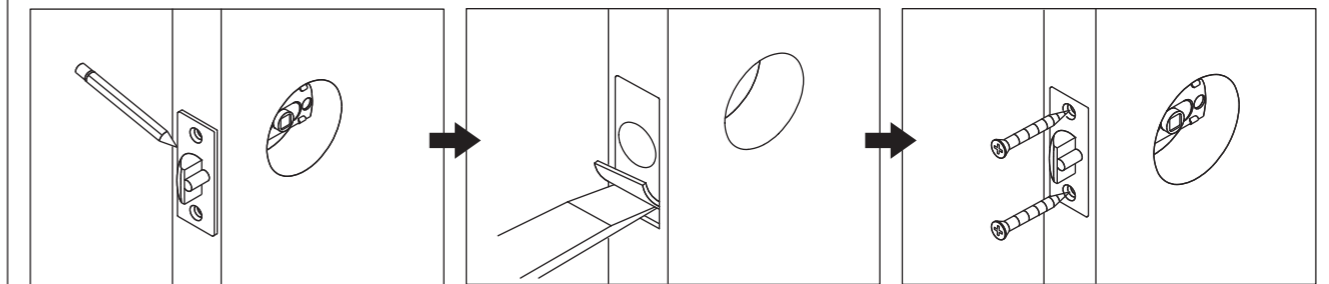


Step 2. Adjust Backset

- If required, the backset can be set at 60mm or 70mm.
- Note:** Be sure that the latch cam is upright position before making any backset adjustment.

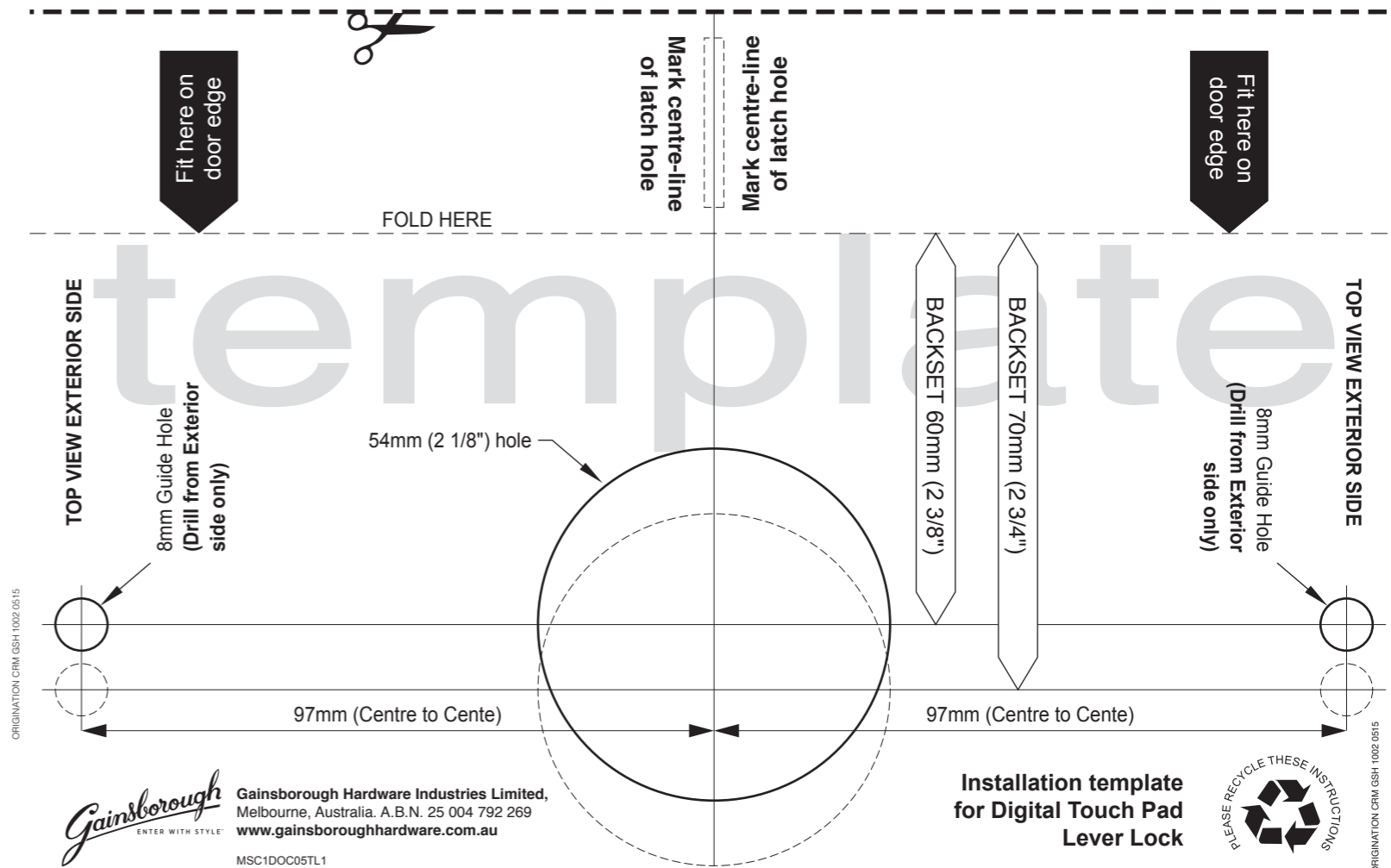


Step 3. Install Latch



- Insert the latch and lay the faceplate against the door edge. Use a pencil to mark its perimeter, then take out the latch.
- Chisel out the portion marked with pencil until the latch sits flush with the door edge. Approx 4mm (5/32") deep.
- Insert the latch, pilot drill the screw holes, 3mm if necessary, then insert the screws and tighten by hand.

NOTE: Carefully follow these instructions when installing. Screws to be tightened to a recommended 2.5Nm torque max.



Gainsborough Hardware Industries Limited, Melbourne, Australia. A.B.N. 25 004 792 269
www.gainsboroughhardware.com.au



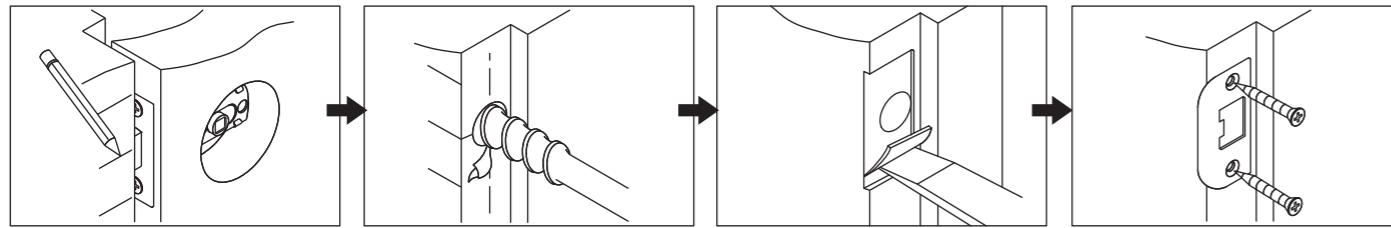
Gainsborough Hardware Industries Limited,
Melbourne, Australia. A.B.N. 25 004 792 269
www.gainsboroughhardware.com.au

Installation template
for Digital Touch Pad
Lever Lock



Installation Instructions for Digital Touch Pad Lever Lock

Step 4. Install Strike Plate



- Partly close the door to lay the latchbolt against the door frame. Mark the centreline of the latch on the doorframe as a reference line to position the strike.
- Place the strike against the door frame, aligning the centre with the reference line and mark its perimeter.
- Drill a 25mm (1") hole to a depth of 13mm
- Use a chisel to rebate out the door frame until the strike sits flush. Approx 1.5mm deep.
- Insert the strike, pilot drill the screw holes, 3mm if necessary, then insert the screws and tighten by hand.

Step 5. Adjust Door Handing (if required)

- Check that the lever direction is correct for when the mounts are positioned on door. If not you can switch the levers using these steps.

Exterior Lock Body

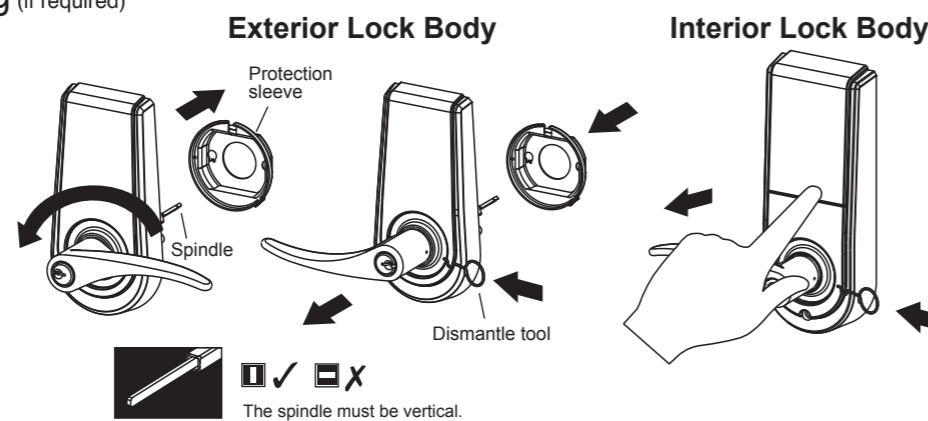
- Make sure the lock is unlocked (the spindle is vertical).
- Remove the protection sleeve.
- Rotate the lever 180°.
- Put the protection sleeve back in place (take care to locate the cable in its clearance spot).
- Insert the dismantle tool into the small hole on the neck of the lever and press in. Remove the lever.

Interior Lock Body

- Insert the dismantle tool into the small hole on the neck of the lever and press in. Remove the lever.

Swap Levers

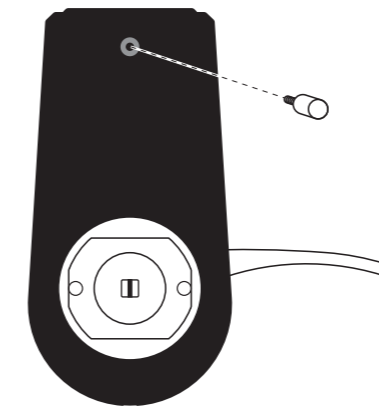
- Simply swap the levers to suit and push in until the lever clicks in place. Make sure the lever is secure.



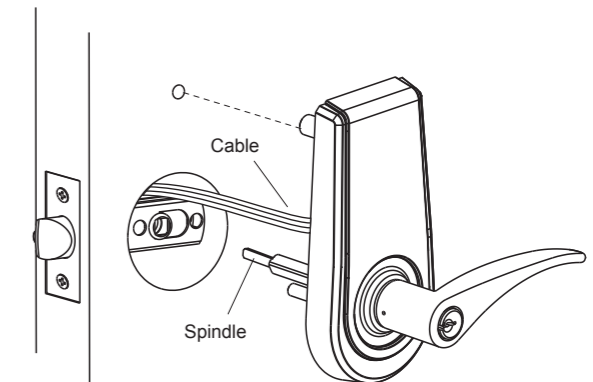
Installation Instructions for Digital Touch Pad Lever Lock

Step 6. Install Exterior Lock

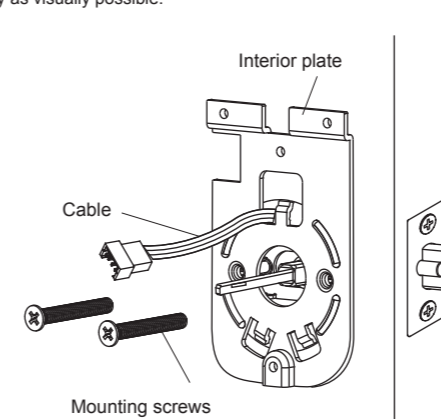
- Install the stub screw into the exterior body and tighten by hand.



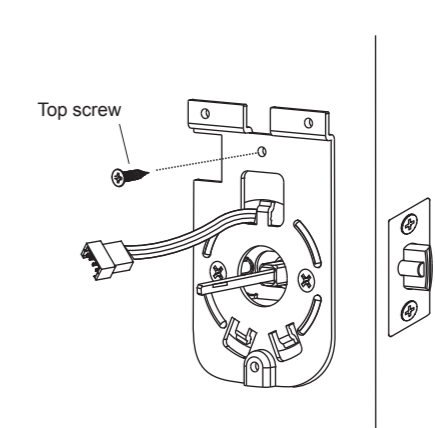
- With the rubber gasket in place, fit exterior body by inserting the spindle vertically through the square cam of the latch.
- Fit the cable through the cross bore above the latch.



- Pass the cable through the cable hole at the top of the interior plate as shown, then fasten the interior plate with 2 screws and tighten by hand. Ensure the exterior lock and the interior plate are positioned vertically and accurately as visually possible.



- Drill a 3mm pilot hole and install the top screw and tighten by hand.



Step 7. Install Interior Lock

- Remove battery cover from interior lock body by sliding it up.
- Carefully connect the interior and exterior cables.
- Position lock body onto mounting plate until flush on door face. Fasten with 3 x installation screws.
- Install the 4x AA batteries into lock body and put battery cover back in place.

Note: Once the batteries are installed, the unit will run through a quick start up program. Refer to the operation guide to program your lock.

